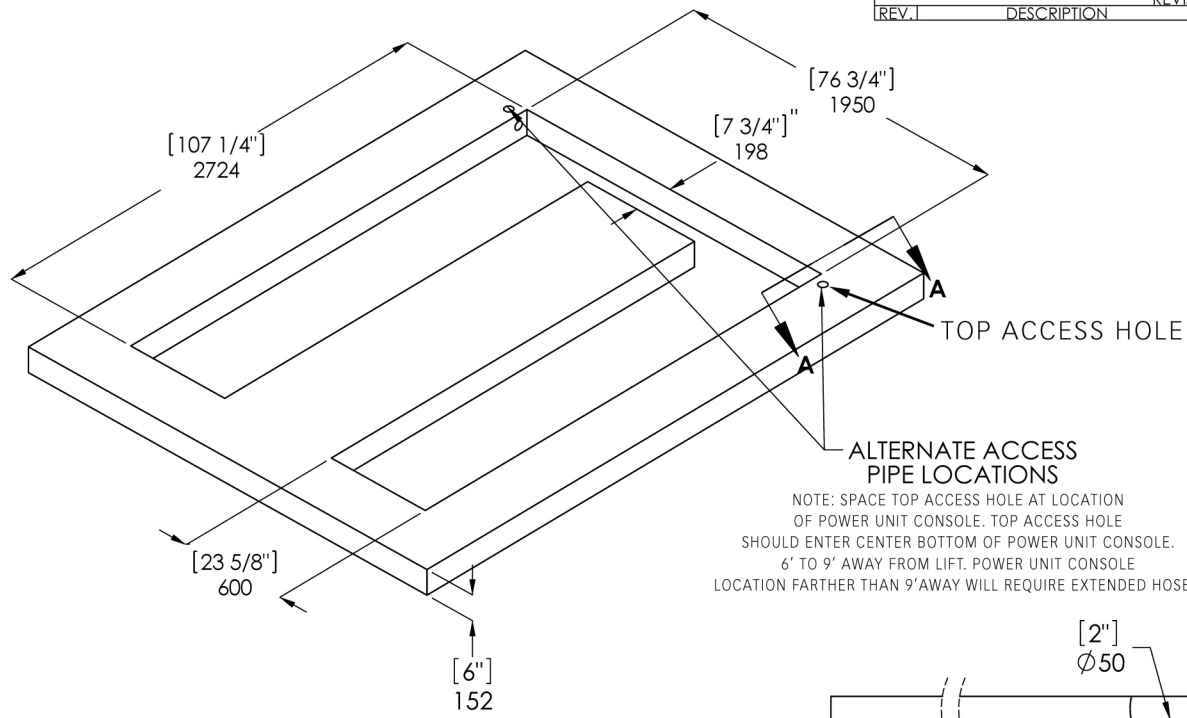
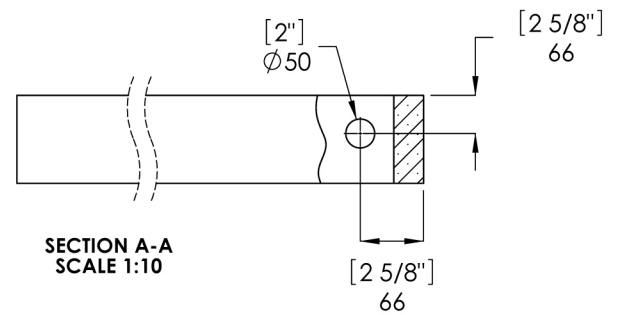


REV.	DESCRIPTION	REVISION	DATE	EDITED BY	ECO #
------	-------------	----------	------	-----------	-------



NOTE: SPACE TOP ACCESS HOLE AT LOCATION OF POWER UNIT CONSOLE. TOP ACCESS HOLE SHOULD ENTER CENTER BOTTOM OF POWER UNIT CONSOLE. 6' TO 9' AWAY FROM LIFT. POWER UNIT CONSOLE LOCATION FARTHER THAN 9' AWAY WILL REQUIRE EXTENDED HOSES.



DO NOT SCALE DRAWING		NAME	DATE	1645 LEMONWOOD DR. SANTA PAULA, CA 93060
DIMENSIONS ARE IN MM		DRAWN TM	1/29/2010	
	THIRD ANGLE PROJECTION		TITLE: SP-7X FLUSH MOUNT CONCRETE PRE-POUR LAYOUT	
			SIZE DWG. NO.	REV
	MATERIAL: --- SIZE: ---		A CONCRETE	
PROPRIETARY AND CONFIDENTIAL THE INFORMATION CONTAINED IN THIS DRAWING IS THE SOLE PROPERTY OF BENDPAK INC. ANY REPRODUCTION IN PART OR AS A WHOLE WITHOUT THE WRITTEN PERMISSION OF BENDPAK INC. IS PROHIBITED.				SCALE: 1:28 SHEET 1 OF 1

NOTE: UNLESS OTHERWISE SPECIFIED.